

H G F E D C B A

4

4

3

3

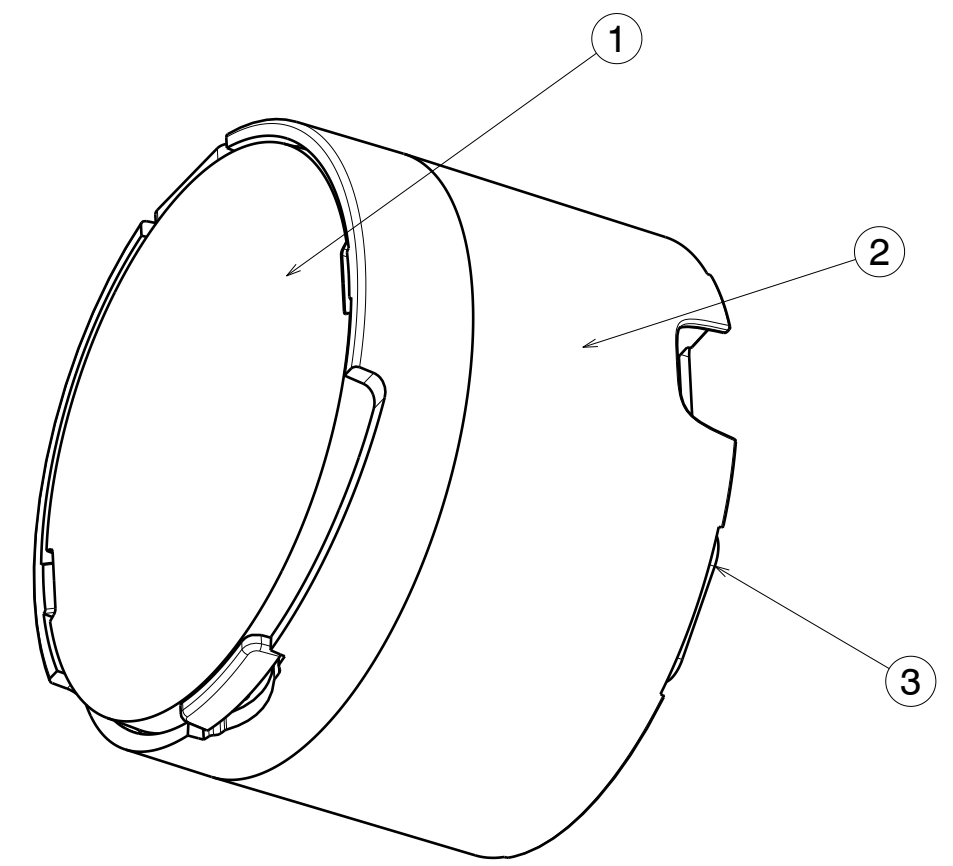
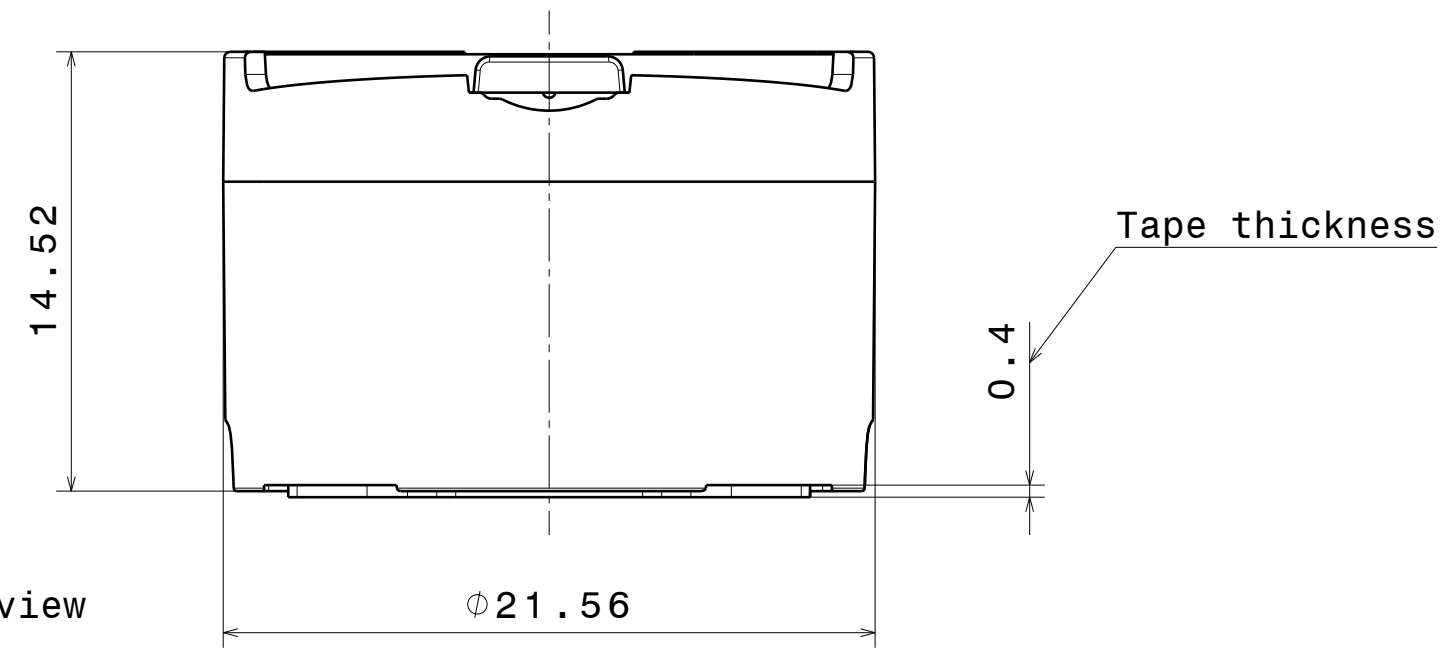
2

2

1

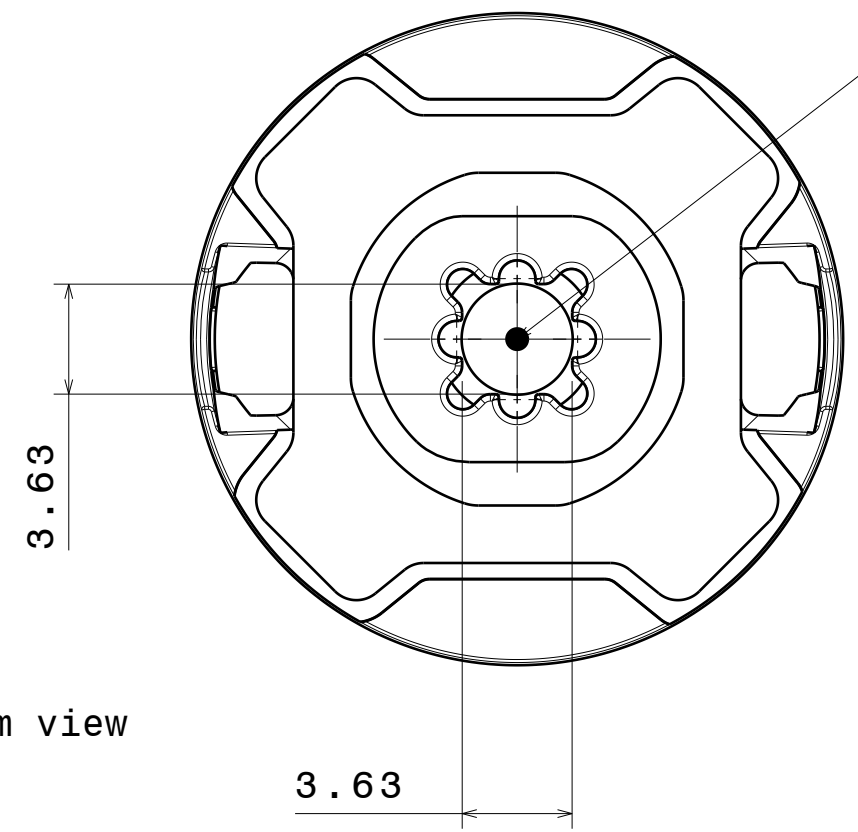
1

Front view



Isometric view

LED position



Bottom view

INDEX	PART NO	DESCRIPTION	MATERIAL	COLOUR
1	C14391	Lens	PMMA	Clear
2	C14389	Holder	PC	Black
3	C11269	Tape	PU	Black

Tolerances if not otherwise shown  
 According to DIN ISO 2768-1  
 Linear measures: class C  
 According to DIN ISO 2768-2  
 Form and position: class L

**LEDiL** LediL Oy  
 Salorankatu 10  
 FIN 24240 SALO  
 Finland

THIRD ANGLE PROJECTION:

DRAWING TITLE  
**CA14392\_LXP2-0-WAS**

This drawing is the property of LEDiL Oy. It may not be reproduced, copied or communicated without a written agreement with LEDiL Oy.

SIZE **A3** PART NUMBER **CA14392**

SCALE **4:1** WEIGHT **5,0 g** SHEET **1/1**

H G B A